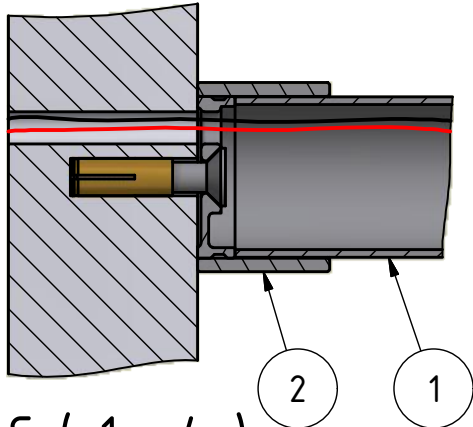
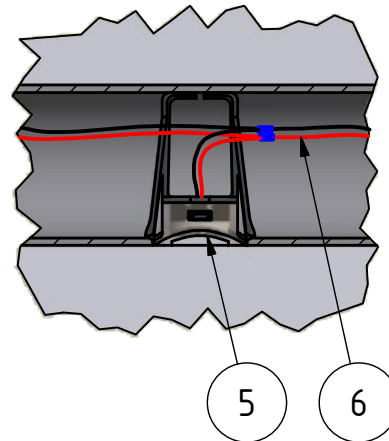


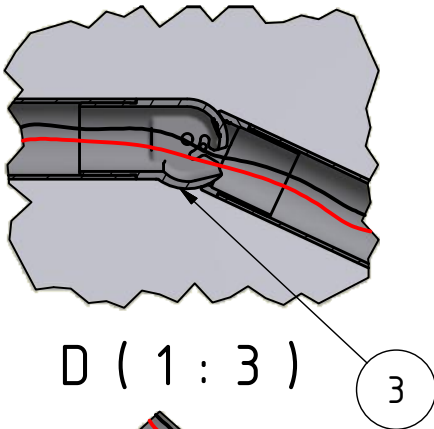
A-A (1 : 2)



B (1 : 2)

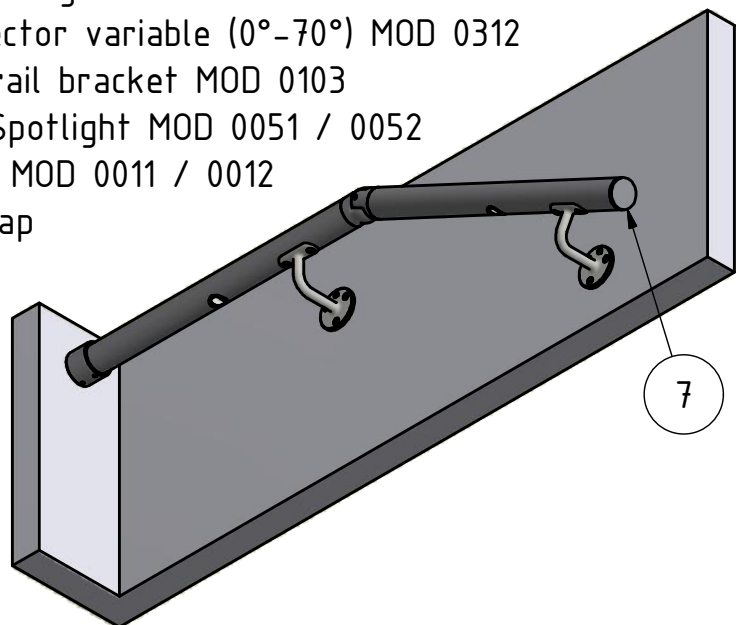
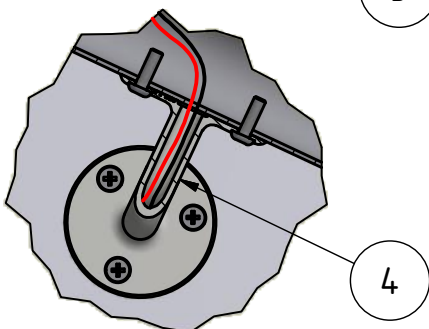


C (1 : 4)



1. Handrail MOD 8925 / 0900
($\varnothing 42,4 \times 2\text{mm}$ / $\varnothing 48,3 \times 2\text{mm}$)
2. Wall flange MOD 0504
3. Connector variable ($0^\circ - 70^\circ$) MOD 0312
4. Handrail bracket MOD 0103
5. LED-Spotlight MOD 0051 / 0052
6. Cable MOD 0011 / 0012
7. End cap

D (1 : 3)



SYSTEM: Q-LIGHTS
MODEL: 0051/0052
DESCRIPTION: LED-Spotlight

DRAWN: MPS
DATE: 31.03.2016
DRAWING NO.: 0051-002

This detail drawing is for reference purposes only. The installer must check the specifications and details with the local situation and regulations. For further advice and service please contact your nearest Q-railing office.

© Q-railing Europe GmbH & Co. KG

THE PREMIUM BRAND IN RAILING SYSTEMS | WWW.Q-RAILING.COM

Q-railing